

BEAM WITH STANDARD LEGS

Ref. 3610

FIG approved, this standard leg beam with soft foam end-pieces is perfect for artistic gymnastics competitions.

Model used at the 2022 World Championships in Liverpool as well as the 2023 European Championship in Antalya, and will be featured at the Paris 2024 Olympic Games.



ADVANTAGES

SAFE

With its non-slip covering and soft foam end-pieces, this beam reduces risk of injury and inspires confidence in gymnasts. The landing surface is made of 5 mm polyurethane foam which absorbs shocks and vibrations to help prevent strain injuries.

HIGH PERFORMANCE

The reinforced rigid aluminium body and non-slip pads provide great stability for gymnasts when performing. This equipment is designed to be long-lasting. The imitation leather covering provides comfort and facilitates the execution of movements.

MULTI-PURPOSE

The beam is FIG approved and meets competition standards. It can also be used for regular training sessions at all levels of ability thanks to its quick and easy height adjustment system: from 0.90 to 1.40 m.

Technical Characteristics



FIG APPROVED

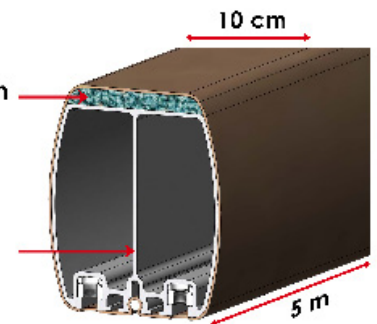
The beam complies with FIG
STANDARDISED SIZES

FLOOR SPACE: 5 x 1 m

PROTECTIVE SOFT FOAM END-PIECES
for added safety.

Agglomerated polyurethane comfort foam
for excellent shock absorption.

Reinforced rigid aluminium body
by means of a central strengthening rib

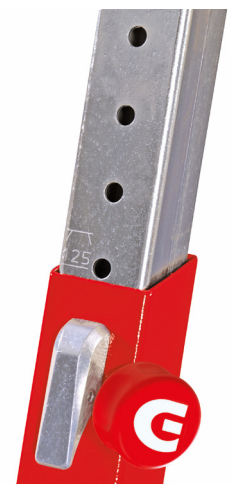


QUICK AND EASY HEIGHT ADJUSTMENT SYSTEM

From 0.90 to 1.40 m by means of a sliding system with ergonomic dual-material tightening thumbscrew. Positioning is done using an engraved graduated scale. The sliding system components are galvanised with an anti-rust treatment for guaranteed optimal use and to extend the lifespan of your equipment.

BEAM LEGS WITH LATERAL BRACING for prevention of unwanted movements and lateral vibration.

SUPPLIED WITH NON-SLIP PADS to ensure absolute stability.

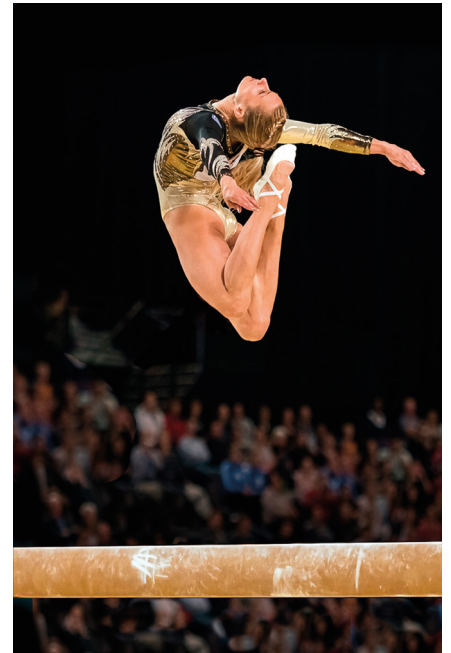


Pack list

Delivered in 4 packages

Ref.	Quantity	Description of contents	Dimensions (l x w x h)	Weight (kg)
3610/80	1	Reinforced beam body	515 x 22 x 22 cm	52
3450/40	2	Standard leg upright and sliding system (Unit)	78 x 25 x 18 cm	13
345/30	1	Leg bases (Pair)	103 x 17 x 11 cm	14

Total weight: 92 kg



Optional accessories

REF. 2920 - PROTECTIVE PADS FOR BEAM FEET

These protective pads are easy to install using the self-gripping strips. They protect the gymnast from any injuries associated with the risk of falling. Pair.



TROLLEYS AND TRANSPORT WHEELS

Accessories designed for transporting GYMNOVA beams. For moving the equipment quickly and easily by sliding it along the floor. Pair.

REF. 3695 - TRANSPORT TROLLEYS

REF. 3697 - TRANSPORT WHEELS

REF. 6016 - MULTI-PURPOSE "CARPET" MAT

Very soft impact-absorbing foam mat covered with stretch jersey and with a non-slip base. This mat is particularly well suited for use on a beam thanks to its ability to mould to the contour of the apparatus.



Mats FIG

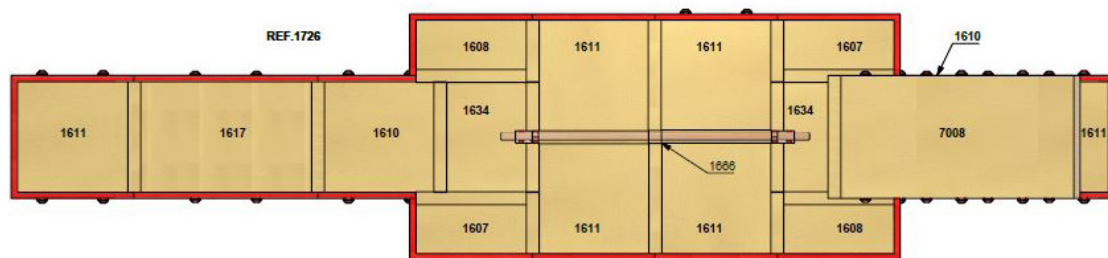


FIG LANDING MAT SET - REF. 1726



Full set of specific FIG approved mats for the beam.

Mats made of multi-layer double-density foam with a phthalate-free 1000-denier PVC cover with class M2 fire rating.

Total surface area: 52 m²

Floor space: 1900 x 350 cm



DOWNLOAD ASSEMBLY INSTRUCTIONS



GYMNOVA - CS 30056 - 45 rue Gaston de Flotte - 13375 Marseille Cedex 12 - FRANCE
Tel. +33 (0)4 91 87 51 20 - Fax +33 (0)4 91 93 86 89 - export@gymnova.com

www.gymnova.com